

Mansfield®

Swirl-way® Siena™



The Siena's sculpted design is a masterful blending of visual appeal and luxurious comfort. The Siena's elegant back and relaxing armrests offer comfortable support while two micro directional jets provide the best in back massage pleasure. Four Magna-Swirl I jets finish off an invigorating, soothing, hydro-massage action. An added touch is provided by the SimpleSelect™ control as you select the perfect pump speed for total comfort.

Standard Features:

- 42" x 72" rectangle whirlpool
- **LUXURY PACKAGE:** SimpleSelect™, four button control, 10 speed pump with massage mode, In-line heater and MoodScape light
- Cable operated drain in Color match, Chrome, Everbrass (PVD), or Brushed Nickel
- Six-Jet system provides complete hydro-massaging action
 - *Two directional Micro VSR jets for a great back massage. Also, interchangeable with rotational Micro VSR jet(s) included!*
 - *Four Magna-Swirl I jets are directionally and individually adjustable to massage the rest of your body.*
- Powerful 2 HP pump creates an invigorating whirlpool action
- Dramatic shape with sculpted backrest and arm supports
- Your choice of Color match, Chrome, Everbrass (PVD) and Brushed Nickel trim
- One contoured pillow in your choice of White, Bone or Biscuit
- White, and Standard Colors

Additional Options and Upgrades:

- Premium and Designer colors
- Alternate Pump Location
- Preinstalled nailing flange
- Antimicrobial acrylic available in White, Bone or Biscuit

Order No.	Description	Approx. Wt.
5066	Rectangle Whirlpool 42" x 72" x 21" Specify color and options when ordering.	150 lbs.
5566	Rectangle bath 42" x 72" x 21" Specify color and options when ordering.	130 lbs.



SIENA FEATURES

Luxury Package

A SimpleSelect™ control, solid state of the art, four function control with LCD display. Controls on/off, 10-speed pump, massage action, and MoodScape light. Package includes the solid state in-line heater and MoodScape light.



Magna-Swirl™ I Jets

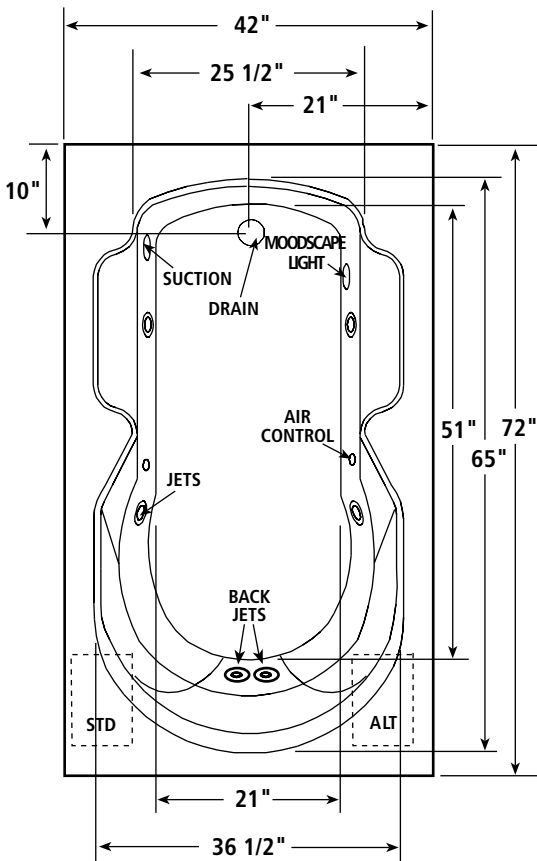
Powerful, individually adjustable jet is an exclusive Swirl-way design.



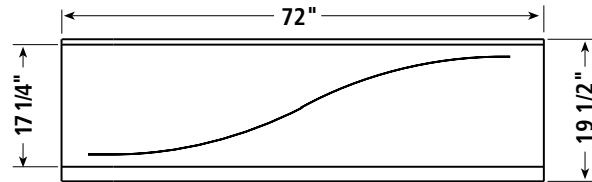
Micro Directional Jets

Two micro jets at one end, adjustable in both direction and intensity, allows you to control your back hydromassage experience.

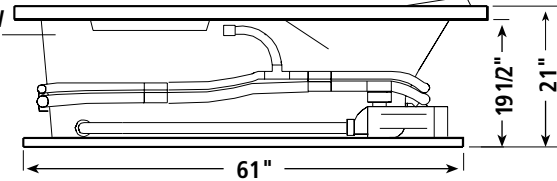
ROUGH-IN DIMENSIONS



OPTIONAL REMOVABLE APRON



CENTERLINE OF OVERFLOW



DIMENSIONS: 42" x 72" x 21"

MATERIAL: Acrylic, fiberglass reinforced

CONSTRUCTION: Self-contained, pre-plumbed whirlpool bath with heat-bent rigid PVC Pipe, mounted on a pre-leveled thermoformed, drip pan base

PUMP MOTOR: 2 HP, Ten speed, 120V, 60Hz

ELECTRICAL REQUIREMENTS: Two separate 120V, 20 AMP, GFCI outlets

NUMBER OF JETS: 6

WATER CAPACITY: 65 gal. max., 50 gal. min.

FLOOR LOADING: 47 lbs./sq. ft.

WEIGHT: 120 lbs.

SHIPPING WEIGHT: 150 lbs.

Note: Rough-in measurements may vary + - 1/4". Pump locations are shown for clarity. STD-standard pump location. ALT-optional alternate pump location. ** Electronic SimpleSelect located on (Std or Alt) corner of deck. If a factory installed nailing flange is added to a unit, add 1/8" to each side flanged.



Listed No. 2719



Listed No. SP-1179



Listed 47E6 hydromassage bathtub



Listed S.259 hydromassage bathtub



Various other state, city and local approvals.

When tested for compliance to the requirement of ANSI A112.19.7M and A112.19.8M for "Whirlpool Bath Appliances" and ANSI Z124.1 for "Plastic Bathtub Units" the tested units are found to comply and are acceptable for listing under the Terralab Engineers, Inc. follow-up service. Listed No. 15197.

*Certified for permanent electrical supply connection only.



Mansfield Plumbing Products LLC • Sales Services Toll Free 800-999-1459 • Fax 903-657-3450
Website: www.mansfieldplumbing.com • Email: custserv@mansfieldplumbing.com