

Mansfield®

Swirl-way® Avalon™



The Avalon with its uniquely engineered design, contoured back and arm supports gives the bather an unrivaled, relaxing bathing experience. Eight whirlpool jets, including two Magna-Swirl II jets for the lower lumbar area, provide the most soothing hydromassage action. The SimpleSelect places all the power of a 10-speed pump at your fingertips.

Standard Features:

- 40 1/2" x 71 1/2" oval whirlpool
- **LUXURY PACKAGE:** SimpleSelect™, four button control, 10 speed pump with massage mode, In-line heater and MoodScape light
- Cable operated drain in Color match, Chrome, Everbrass (PVD), or Brushed Nickel
- Eight-Jet system provides complete hydro-massaging action
 - Two Magna-Swirl II for a great back massage, positioned in the lower lumbar area
 - Six directionally adjustable Ultra-Swirl jets to massage the rest of your body
- Powerful 2 HP pump creates an invigorating whirlpool action
- Dual air controls for the ultimate jet power control
- Comfort-engineered sculpted lumbar back rest
- Sculpted arm rest
- Your choice of Color match, Chrome, Everbrass (PVD) and Brushed Nickel trim
- One contoured pillow in your choice of White, Bone or Biscuit
- White, and Standard Colors

Additional Options and Upgrades:

- Premium and Designer colors
- Antimicrobial acrylic available in White, Bone or Biscuit

Order No.	Description	Approx. Wt.
5003	Oval Whirlpool 40 1/2" x 71 1/2" x 25 1/2" Specify color and options when ordering.	152 lbs.
5503	Oval bath 40 1/2" x 71 1/2" x 25 1/2" Specify color and options when ordering.	132 lbs.

AVALON FEATURES

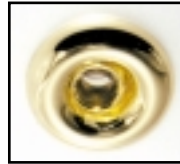
Luxury Package

A SimpleSelect™ control, solid state of the art, four function control with LCD display. Controls on/off, 10-speed pump, massage action, and MoodScape light. Package includes the solid state in-line heater and MoodScape light.



Magna-Swirl II jets

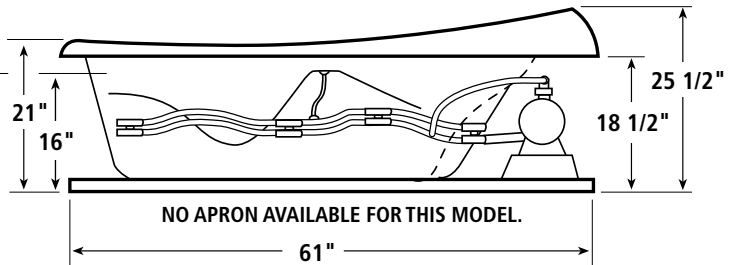
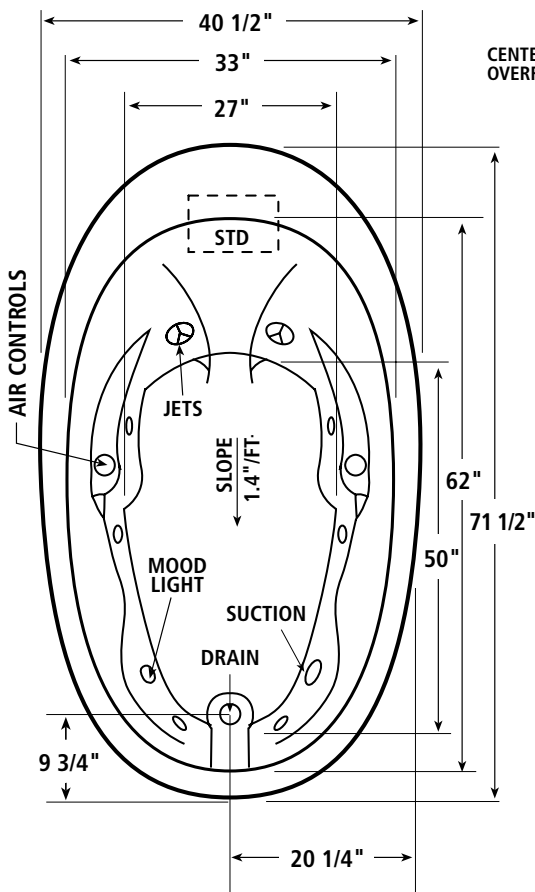
Two rotating, swirling jets that provide powerful and energetic circular lower back hydro-massage.



Ultra-Swirl jets

A beautifully sculpted design makes this jet an attractive plus. Directionally adjustable for controlled hydromassage.

ROUGH-IN DIMENSIONS



INSTALLER NOTE: Due to the freeform shape of the tub shell, it is recommended that the tub be on the job before making the final cut-out for drop-in installation.

- DIMENSIONS:** 40 1/2" x 71 1/2" x 25 1/2"
- MATERIAL:** Acrylic, fiberglass reinforced
- CONSTRUCTION:** Self-contained, pre-plumbed whirlpool bath with heat-bent rigid PVC Pipe, mounted on a pre-leveled thermoformed, drip pan base
- PUMP MOTOR:** 2 HP, Ten speed, 120V, 60Hz
- ELECTRICAL REQUIREMENTS:** Two separate 120V, 20 AMP, GFCI outlets
- NUMBER OF JETS:** 8
- AIR VOLUME CONTROLS:** Two
- WATER CAPACITY:** 80 gal. max., 50 gal. min.
- FLOOR LOADING:** 47 lbs./sq. ft.
- WEIGHT:** 115 lbs.
- SHIPPING WEIGHT:** 152 lbs.

Note: Rough-in measurements may vary + - 1/4".



Listed No. 2719



Listed No. SP-1179



Listed 47E6 hydromassage bathtub



Listed S.259 hydromassage bathtub



Various other state, city and local approvals.

When tested for compliance to the requirement of ANSI A112.19.7M and A112.19.8M for "Whirlpool Bath Appliances" and ANSI Z124.1 for "Plastic Bathtub Units" the tested units are found to comply and are acceptable for listing under the Terralab Engineers, Inc. follow-up service. Listed No. 15197.

*Certified for permanent electrical supply connection only.

Mansfield®

Mansfield Plumbing Products LLC • Sales Services Toll Free 800-999-1459 • Fax 903-657-3450
 Website: www.mansfieldplumbing.com • Email: custserv@mansfieldplumbing.com